

Hillside Cultivator Co. LLC

Prices and Parts

2025

**Call or Email
to Order**

**911 Disston View Dr.
Lititz, PA 17543
Cell 717-669-3158**

**www.hillsidecultivator.com
Email: sales@hillsidecultivator.com**



Hillside Cultivator Co. LLC

Hillside Cultivator Company started from John Shenk’s effort to develop better cultivating equipment for use on our strawberry farm. John and his son Peter build cultivators specifically designed for renovating strawberries and for season-long weed control between the rows. Our cultivators are design to be versatile and have many uses including cultivating crops on ridges, raised beds, and plastic mulch. We also sell other unique cultivating equipment.

If you would like to visit us, please call ahead. We also farm and are not always available.

Our equipment is assembled to order because of the available configurations. If you would like to see an assembled cultivator, please call ahead so that we can have one ready.

Prices may be subject to change.

To order parts or get more information contact John Shenk by email, mail, or telephone:

911 Disston View Dr.
Lititz, PA 17543
Email: sales@hillsidecultivator.com
Cell: (717) 669-3158

Table of Contents

Hillside Cultivator Models	3
Cultivating Equipment	4
Using Rolling Spider Cultivators	5
Complete Rolling Cultivator Gangs.....	6
Cultivator Attachments.....	7
Attachments for Model CS and NH Cultivators	8
Other Cultivating Parts.....	9
Eco Weeder Parts	10
Rolling Cultivator Replacement Parts.....	11
Reference Diagram Spider Gang Parts	13
Reference Diagram Disc Gang Parts.....	14
Cultivating tools for 2” toolbars.....	15
Fertilizer Applicator	16

Hillside Cultivator Models

Model CS

- Strawberry Renovation, Plastic Culture, and General Cultivating
- Front Disc Gangs Recommended for Strawberry Renovation
- Includes two coil tines
- Hydraulic Adjustment
- Can be configured for 2 Rows
- Additional Options Available pg. 6-7



Model CS with 4 rolling spider gangs.. \$3,975
 Additional Cost per Disc Gang \$40

Model NH (No Hydraulics)

- Strawberry Renovation, Plastic Culture, and General Cultivating
- Front Disc Gangs Recommended for Strawberry Renovation
- Includes two coil tines
- Can be configured for 2 Rows
- Manually Adjusted
- Additional Options Available pg. 6-7



Model NH \$3,325
 Additional Cost per Disc Gang \$40

Blueberry Cultivator

- Includes four rolling cultivators
- Hydraulic Frame Width Adjustment
- Two Gauge Wheels



Blueberry Cultivator (2 Sides)..... \$3,975
 Blueberry Cultivator 1 Sided..... \$2,650

Cultivating Equipment

Utility Tractor Cultivator

- Includes 2 Rolling Cultivators and 2 Cultivator Tines
- Lighter Smaller Frame for Compact Tractors
- Additional Options Available

Utility Tractor Cultivator..... \$1,850



Eco Weeder

- Hillside Cultivator is a dealer for Eco-Weeders.
- Excellent in Row Weed Control
- PTO Powered Belt Drive
- Operator moves rotating cultivator around and between plants.
- One row hydraulic drive eco weeders are also available.
- The offset hitch allows the tractor to straddle two rows and the eco weeder is offset to cultivate one row at a time (Price on pg. 9)

One Row Eco Weeder..... \$4,650

One Row Hydraulic Weeder \$4,375

Two Row Eco Weeder

- Two Row Eco Weeder is PTO and belt driven.
- Requires two riders.
- For row spacings 30 – 48"

Two Row Eco Weeder..... Call for Price



Eco Weeder Offset Hitch

Using Rolling Spider Cultivators

- Rolling spider cultivators are ground driven.
- Cultivators move through the soil at an adjustable angle in relationship to the direction of travel.
- The spider gangs operate as a pair, consisting of a right and a left gang.
- Designated by a sticker on the yoke labeled either 1 or 2 the label identifies which direction a gang may be angled.
- Viewed from behind a #1 moves soil right to left and a #2 moves soil left to right.
- Gangs are always oriented with the scrapers towards the rear.

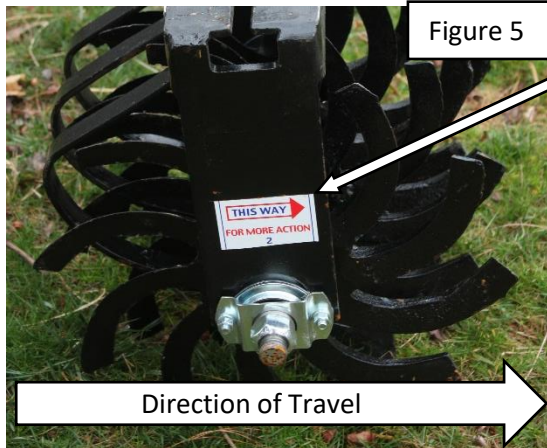


Figure 5

The number 2 label on the gang in Figure 5 illustrates that the near side of the yoke should be moved forward for more action.

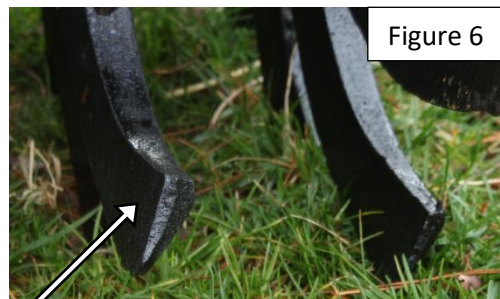
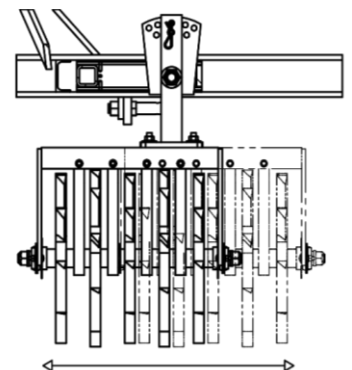
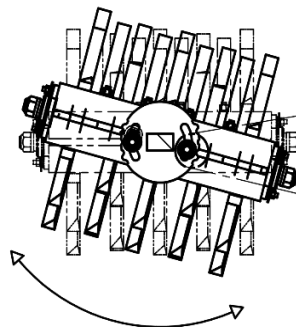
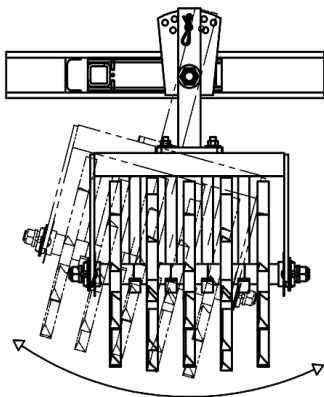


Figure 6

Figure 6 shows the profile of a single spider. The working face of the profile is the flat side shown by the arrow in the picture. The flat working face is analogous to the concave of a disc and should be leading into the soil.

Types of Adjustment for Gangs



Adjusting Pitch of Gang	Adjusting Angle of Gang	Adjusting Gang Laterally
This adjustment is used to match the side of an existing bed or ridge. Pitch is also useful for creating a ridge or filling a trench.	Adjusting the angle of a gang affects how aggressively it cultivates and moves soil.	Gangs mount to a cultivator using the slot on top of the gang frame. The slot allows the gang to be adjusted laterally.

Complete Rolling Cultivator Gangs

16" Diameter Rolling Spider Gangs

- Assembled with Heavy Duty Scrapers
(HD scrapers are 3/8" thick x 1-1/4" wide compared to regular 1/4" thick x 1" wide)
- #1 Gang moves soil right to left viewed from behind.
- #2 Gang moves soil left to right viewed from behind.



Gang Size	Cultivating Width Running Straight	Cultivating Width at Max Angle
5-spider gang	14"	17-3/4"
4-spider gang	10-1/2"	14-1/2"
3-spider gang	7-1/2"	11-1/2"
75004005P	5 spider gang #1.....	\$299
75005005P	5 spider gang #2.....	\$299
75004004P	4 spider gang #1.....	\$268
75005004P	4 spider gang #2.....	\$268
75004003P	3 spider gang #1.....	\$218
75005003P	3 spider gang #2.....	\$218

16" Diameter Rolling Disc Gangs

- Available with smooth or notched discs
- 12.5" width measured from outside edge of discs
- Same size yoke and axle as a 5-spider gang



AT00110	Disc gang notched #1.....	\$339
AT00109	Disc gang notched #2.....	\$339
AT00160	Disc gang smooth #1.....	\$339
AT00159	Disc gang smooth #2.....	\$339

Cultivator Attachments

Finger Weeder

- 14.5" Diameter flexible finger with adjustable pitch
- 1" square bar mounts in place of the coil tine on a model CS or NH cultivator.
- Also available on a 1-1/4" Round bar for other mounting applications.



AT00100Finger Weeder Assembly \$335

Coil Tine

- 37" Overall; 19-1/8" Bottom to Coil Center
- Use 7/16" bolts; spacing 1-1/4" to 2-1/4"

H506Coil Tine 1" Square Shaft \$117



Points, Sweeps, and Shovels for use on Coil Tine

- Cultivator Point 5/16"X11"X2"
- Use 7/16" bolts; spacing 1" to 2"

6862112" Wide Cultivator Point \$11.50



- Optional 8" wide sweep for loosening the edge of plastic mulch

6868HSSUW4 8" Wide Sweep \$15.00

15366 6" Wide Sweep \$12.50

15515 4" Wide Sweep \$11.50



- Furrower on a coil tine can be used to score rows
- Clamp on following page allows coil tine to be mounted on center rear frame channel

68642411WO 11" Furrower 1/4in Tk ... \$29.50

HC00100... 7/16" Hardware (2 Bolts, Nuts).... \$2.00



Add on Flexible Finger for Spider Gangs

- Used for Cultivating along the edges of Plastic Beds
- Mounts on to the end of spider gang axle.
- Axle Nut attaches mounting plate that holds finger.

AT00156 ... Kit Add on Finger \$140

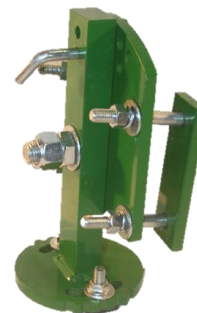


Attachments for Model CS and NH Cultivators

Spider Gang Attachment Pivot Clamp

- Spider or Disk Gangs attach to the clamp
- Angle and pitch of gang are adjustable
- Mounts on a 4" tall channel
- Used on Model NH and to mount center gangs on Model CS when cultivating two rows.

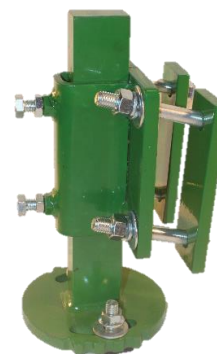
NH00113 ... Mounting Clamp with hardware\$142



Adjustable Height Center Mount Clamp

- Mounts a gang in the center of a Model CS or NH for cultivating two rows.
- If the area between two rows is slightly higher than the edges of the rows the height can be adjusted.
- Angle of gang is adjustable but pitch is not.
- Mounts on a 4" tall channel

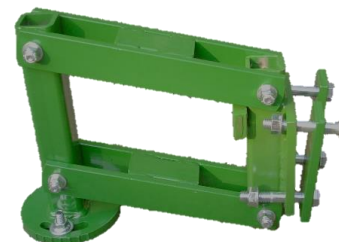
CS00141..... Clamp with hardware\$130



Clamp for Floating Rolling Cultivator

- Mounts a rolling cultivator gang onto a 4" tall channel when it is necessary to allow the gang to float.
- Angle of gang is adjustable but pitch is not.

CS00142..... Floating Clamp with hardware\$175



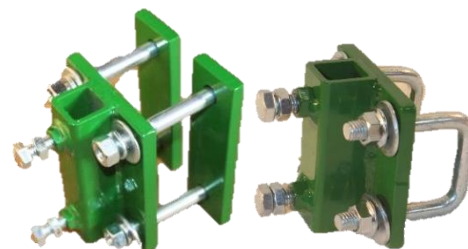
Coil Tine Clamps for 4" and 2" Bars

- Holds 1" square shank
- 2" clamp comes standard on Models CS and NH.
- 4" Channel clamp is most often used to mount a furrower centered on the cultivator frame.

CS00140..... 2" Clamp with U bolts\$41

CS00143..... 4" Clamp with hardware\$68

4" Channel 2" Tube



Runner Mover 2" Square Tube

- Slotted Tube mounts in place of front gangs
- Holds S-Tines (pg. 14) to move strawberry runners

AT00149 Runner Mover Tube\$43



Other Cultivating Parts

Part #	Description	Price	
30410UBR	Turn Shovel Right	\$17.65	 <p style="text-align: center;">Left (viewed from front) Right</p>
30410UBL	Turn Shovel Left	\$17.65	
TB30	Straight Cultivator Shank 5/8" x 2" x 30"	\$89.00	
UT00105	Clamp Assembly 5/8" x 2" Shank 2" Toolbar	\$42.00	
33132	Disc Hiller 12" Disc 16" Long Shank 1-3/16" Dia Shank 4-bolt style	\$59.00	
12X206X325	1/2" U-Bolt Fits 2" Square Tube 3.25 Inside Length	\$3.30	
UB58X406X6	5/8" U-Bolt Fits 4" Square Tube 6" Inside Length	\$5.00	
UB716X131X466	7/16" U-Bolt Fits 1-1/2" Round 4-5/8" Inside Length	\$4.00	

Eco Weeder Parts

Part Number	Description	Price	
EW00107	Ridge Protector Right Side (Contains Soil in the Row)	\$90.00	
EW00108	Ridge Protector Left Side (Contains Soil in the Row)	\$90.00	
EW00117	Clamp to Attach Ridge Protector	\$21.90	
EW00118	Straw De-mulcher Kit Includes Two De-mulcher Heads and stabilizer bar with U-Bolts to hold the operator handles in position.	\$217.00	
850612	Replacement Teeth	\$8.90	
45200A	Univerco Weeder Tine	\$21.75	
AP74	Replacement Belt AP74 Fits One row Eco after year 2000. Also fits short belt on Eco Two Row	\$14.90	
AP105	Replacement Belt AP105 Long Belt on Eco Two Row	\$21.80	
HC00105	Replacement Wheel For Eco Weeders	\$45.00	
EW00120	Offset 3pt Hitch Offsets one row eco weeder from the centerline of the tractor if the tractor is straddling a double row.	\$525.00	

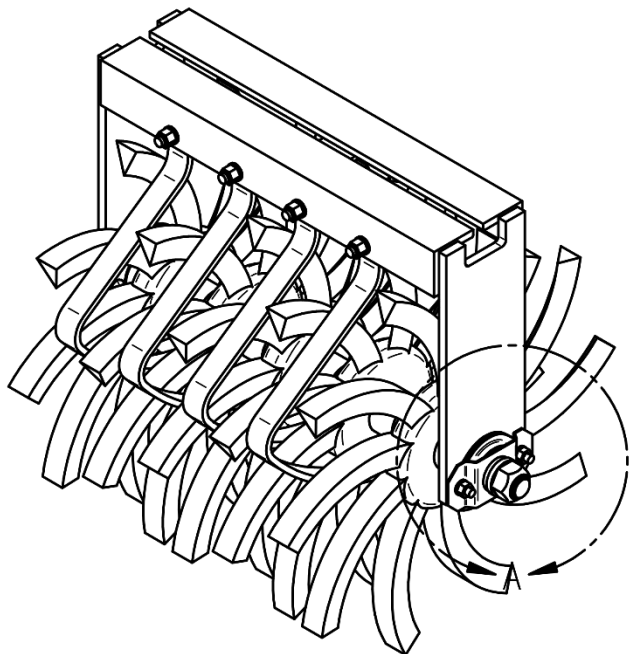
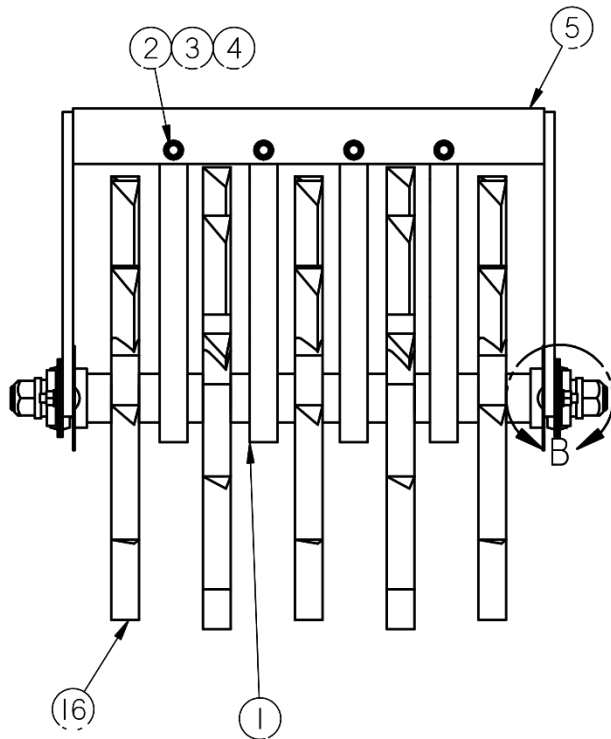
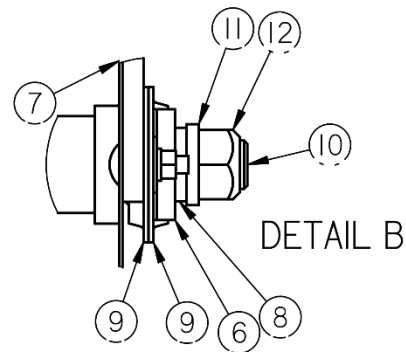
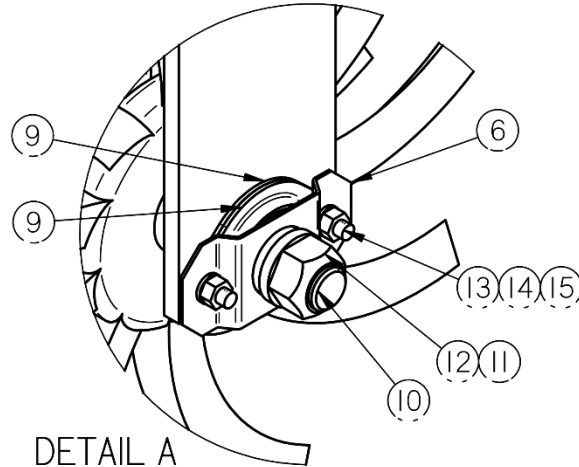
Rolling Cultivator Replacement Parts

Part Number	Description	Price	
AT00117	Yoke 17" Wide - Fits 16" Dia. Spider Fits 5 Spider Gangs and Our Disc Gangs	\$66.00	
75354054	Yoke 13-5/8" Wide - Fits 16" Dia. Spider 4 Spider Gang	\$45.00	
75354053	Yoke 10-3/8" – Fits 16" Dia. Spider 3 Spider Gang	\$40.00	
AT00112	Disc Gang Scraper 17" - #1 Gang (#1 moves soil right to left viewed behind)	\$25.40	
AT00121	Disc Gang Scraper 17" - #2 Gang (#2 moves soil left to right viewed behind)	\$25.40	
AT00111	Disc Scraper	\$7.00	
332-2125	Axle 5-Spider Gang 15/16" (21.5" Long) (Same axle for our 3-disc gang)	\$17.00	
75354064	Axle 4-Spider Gang 15/16"	\$16.00	
75354063	Axle 3-Spider Gang 15/16"	\$15.00	
205PPB7	Rolling Cultivator Replacement Bearing For Spider and Disc Gangs Cross Reference #205PPB7	\$13.00	
332-52T	Single 52 MST Flange (A pair is used for each bearing)	\$1.65	
332-2530	Outer Bearing Shield	\$3.00	
332-2520	Flat Bearing Shield (Used as inner shield on Disc Gangs)	\$3.00	
332-2510	Cultivator Inner Bearing Shield (Used on Spider Gangs)	\$3.00	

75001601HDP	16" #1 Replacement Spider Heavy Duty (12 lbs)	\$38.00	
75001602HDP	16" #2 Replacement Spider Heavy Duty (12 lbs)	\$38.00	
7535408	Scraper Spider 16" Gang	\$12.50	
7535408HD	Scraper Spider 16" Gang Heavy Duty (Interchangeable with regular scraper)	\$16.50	
DN083505P	Notched Disc 16" Dia. 3.5mm Tk. 15/16" Square Cutout	\$32.30	
DN084005P	Smooth Disc 16" Dia. 4mm Tk. 15/16" Square Cutout	\$32.30	
AT00120	Spacer-Disc Gang Middle (6" Long) (Two cast half spools are now used together for 6" space. Price for pair.)	\$15.00	
AT00128	Spacer-Disc Gang Long End (2-5/8" Long)	\$20	
AT00127	Spacer-Disc Gang Short End (1-7/16" Long)	\$15	
CS00139	Plate-Three Hole Mounting With Hardware	\$6.00	
CS00108	Without Hardware	\$5.00	
35001201	12" Spider- 3/4" square shaft- #1 (#1 moves soil right to left viewed behind)	\$36.00	
35001202	12" Spider - 3/4" square shaft - #2 (#2 moves soil left to right viewed behind)	\$36.00	
35001301	12" Spider- 3/4" threaded shaft- #1 (#1 moves soil right to left viewed behind)	\$36.00	
35001302	12" Spider - 3/4" threaded shaft - #2 (#2 moves soil left to right viewed behind)	\$36.00	

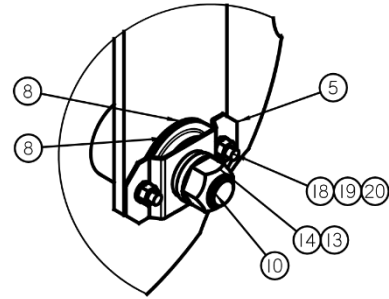
Reference Diagram Spider Gang Parts

Item Number	Description	Quantity
1	Scraper Spider Gang	4
2	Carriage Bolt 3/8" x 1-1/4" Lg	4
3	Lock Washer 3/8"	4
4	Nylon Lock Nut 3/8"	4
5	Weld - Yoke 17"	1
6	Outer Bearing Shield	2
7	Cultivator Inner Brg Shield	2
8	Fafnir Bearing 205PPB7	2
9	Single 52 MST Flange	4
10	Axle 5-Spider Gang	1
11	Lock Washer 3/8"	2
12	Steel Lock Nut 7/8"	2
13	Carriage Bolt 5/16" x 1-1/4" Lg	4
14	Lock Washer 5/16"	4
15	Hex Nut 5/16"	4
16	Single Spider 16" No. 2	5

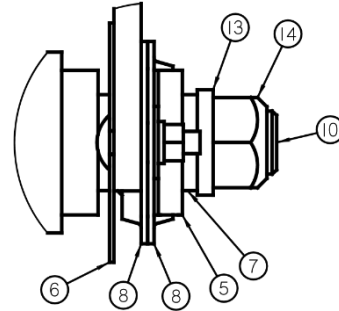


Reference Diagram Disc Gang Parts

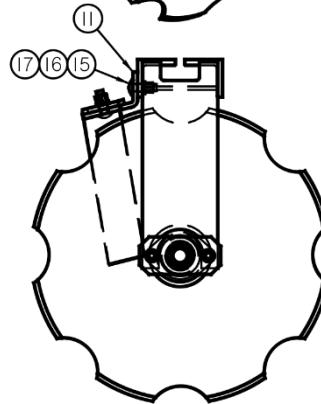
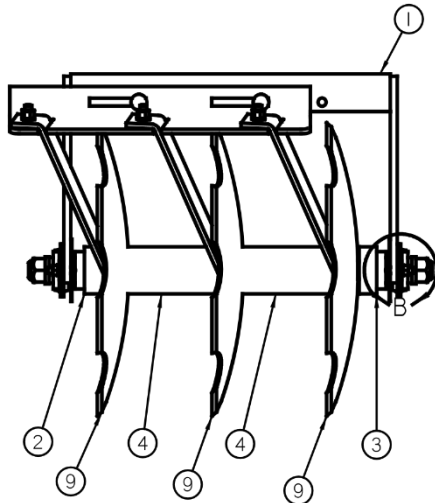
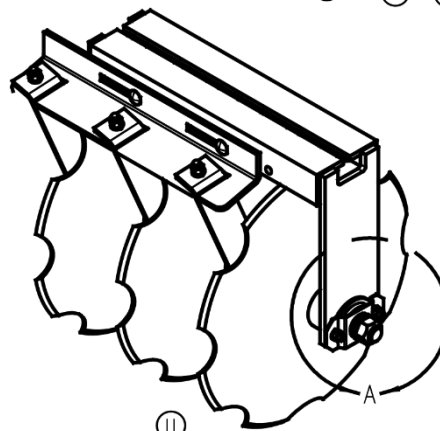
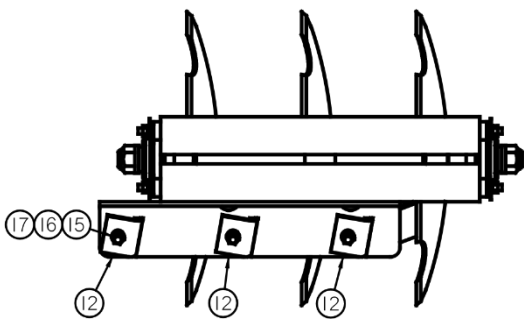
Item Number	Description	Quantity
1	Weld - Yoke 17"	1
2	Spacer - Disc Gang Long End	1
3	Spacer - Disc Gang Short End	1
4	Spacer - Disc Gang Middle	2
5	Outer Bearing Shield	2
6	Flat Bearing Shield	2
7	Fafnir Bearing 205PPB7	2
8	Single 52 MST Flange	4
9	Notched Disc 16" Dia. 3.5mm Tk	3
10	Axle 5-Spider Gang	1
11	Disc Gang Scraper 17"	1
12	Disc Scraper	3
13	Lock Washer 3/8"	2
14	Steel Lock Nut 7/8"	2
15	Carriage Bolt 3/8" x 1-1/4" Lg	5
16	Lock Washer 3/8"	5
17	Nylon Lock Nut 3/8"	5
18	Carriage Bolt 5/16" x 1-1/4" Lg	4
19	Lock Washer 5/16"	4
20	Hex Nut 5/16"	4



Detail A



Detail B



- Note: Spacers have concave and convex ends to fit disc curve. Check Orientation when assembling.
- Item 11: Disc Gang Scraper 17" is the only part different between a No.1 and No. 2 Gang.

Cultivating tools for 2" toolbars

12" Spider Cultivators

- Single or Double 12" Spider
- 1-1/4" or 1-1/8" Round Bar
- Spiders are sold as either #1 or #2
- #1 moves soil Right to Left viewed from behind
- #2 moves soil Left to Right viewed from behind



AT00125Single Spider #1 Assembly \$108
 AT00129Single Spider #2 Assembly \$108
 AT00150Double Spider #1 Assembly \$140
 AT00151Double Spider #2 Assembly \$140

Clamp for round shank

- Mounts to 2" Square Tube
- Holds 1-1/8" to 1-1/4" Round Bar or 1" square bar turned with the corner seated in the "W" shape.



TB00117Clamp for round shank \$30.75

Mounting Post for Rolling Cultivator Gang

AT001381" square post \$39
 AT001361-1/4" round post..... \$39
 AT001521-1/8" round post..... \$39



S-tines with 4" Danish Sweep

- 32mm x 10mm x 560mm S-tine
- 4 in wide x 6mm thick danish sweep mounts with 3/8" elliptical head plow bolt
- Clamp fits 2" square tube using 1/2" carriage bolt



AT00131S-tine assembly \$39
 3483210560 ...S-tine alone no hardware \$24
 HC00102Clamp w/ 1/2" Carriage Bolt \$6.50
 HC00103Sweep w/ 3/8" Plow Bolt..... \$8.50

L-Clamp

- Clamp Attaches Spider Gangs to 2” square toolbar.
- Gang Angle is adjustable.
- Gang pitch is adjustable by slotted holes for U-bolts.



UT00108L-Clamp Gang Right \$50

UT00110L-Clamp Gang Left \$50

Fertilizer Applicator

1st Products Dry Fertilizer Applicator

- Ground Driven or Electric Drive
- Ground drive dispensing rate is adjusted by changing sprockets for up to 27 different combinations.
- Adaptable to a variety of toolbars
- Two Outlet Stainless Steel Box and Auger (Approximate 250lb capacity)
- Two Drop Tubes
- Removable Auger Trough for Easy Cleaning

Ground Driven\$2,485

12V Electric Drive\$3,325

Box Lid\$120

